

Industrial Mill

MTW SERIES TRAPEZIUM MILL



Liming Heavy Industry
www.break-day.com



Industrial Mill

MTW EUROPEAN MILL

Overview

MTW SERIES EUROPEAN TECHNOLOGY TRAPEZIUM MILL-- the latest grinding equipment, with its own knowledge patents, have reached modern advanced level in the world. This series mill absorbing the European advanced technology and many engineers' ripe experience, combining the actual requirement and proposal of our 9518 customers', have been developed on the basis of our professional engineers' hard researching. This new type mill adopts bevel gear overall drive, inner automatic Thin-Oil lubricating system, arc air channel and several latest patent technology.



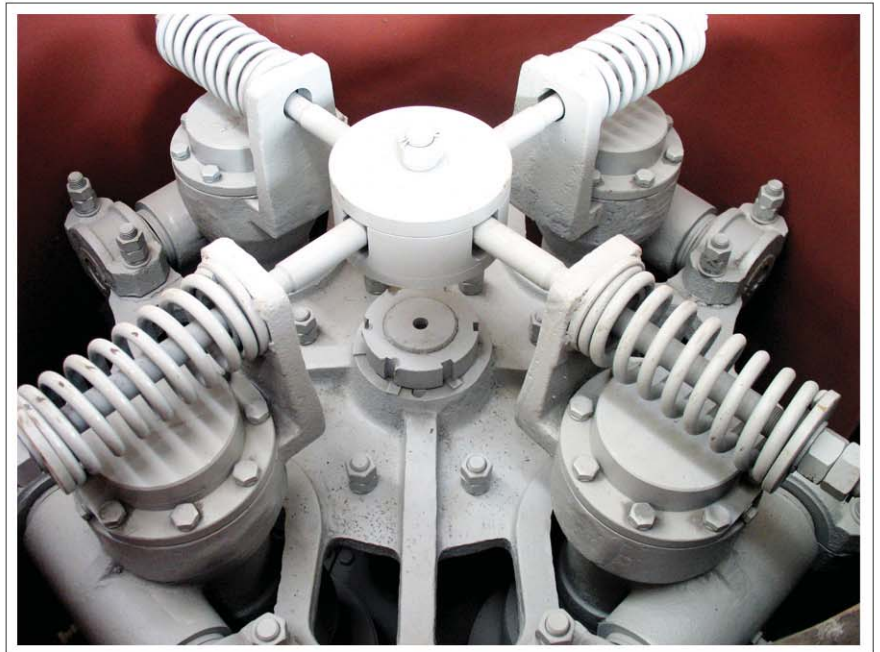
Notice: Any change of Ball Mill technical data shall not be advised additionally.

Industrial Mill

Working Principle

MTW EUROPEAN MILL

First, raw material should be crushed by the jaw crusher to the size specified, and then the crushed stuff is elevated into a hopper from which the stuff is loaded, through the vibrating feeder, evenly and continuously into the grinding chamber for power-processing. After this, the ground stuff is carried by the air into the separator for screening. The fine powder are blow into the cyclone collector and are poured out through the output-powder valve as the final products and the rough stuff after the screening will be recycled back into the grinding chamber for regrinding. The set's airflow system is closely sealed up and circulated under condition of negative pressure.



Features

- 1) Bevel gear overall drive
- 2) Inner automatic Thin-Oil lubricating system
- 3) Arc air channel
- 4) Cambered shovel with renewable edge
- 5) Separated cyclone

No resistance snail shell (small checking door so that there is not an eddy air flow)

- 7) Perfect outward appearance



MTW EUROPEAN MILL

Model Specification Name	MTW110	MTW138	MTW175
Quantity of roller (PCS)	4	4	6
Inner diameter of ring (mm)	Φ1100	Φ1380	Φ1750
Rotary speed of main frame(r/min)	120	96	75
Max. Feeding size (mm)	< 30	< 35	< 40
Output size (mm)	1.6~0.045 The fineness is 0.038	1.6~0.045 The fineness is 0.038	1.6~0.045 The fineness is 0.038
capacity (t/h)	3.5~10	6.5~15	11~25
Overall dimension (mm)	8910×6950×9010	9860×8340×10227	13500×11500×9500
Total weight (t)	18	28.5	46

Remarks: Capacity is based on grinding limestone, 80% passing-through. If the technical data and overall dimension is changed, it is subjected to the operation manual which is together with delivered goods.



Usage

This equipment is mainly used to grind minerals in the field of metallurgy, construction, chemical industry, mining, etc., including lime stone, quartz, feldspar, calcite, talcum, barite, fluorite, thulium, marble, porcelain, bauxite, manganese, iron ore, copper ore, phosphorite, ferric oxide(red), zirconium, slag, active carbon, dolomite, granite, ferric oxide(yellow), bean cake, fertilizer, compound fertilizer, coal ash, soft coal, lignite, magnesite, chrome oxide, gold mine, red mud, clay, kaolin, coke, china clay, kyanite, fluorite, rhyolite, greenstone, shale, basalt, gypsum, graphite, carborundum, heat-retentive materials which are non-flammable, non-explosive, with Moh's hardness below 9 and moisture below 6%.

Tel: 0086-371-67992899

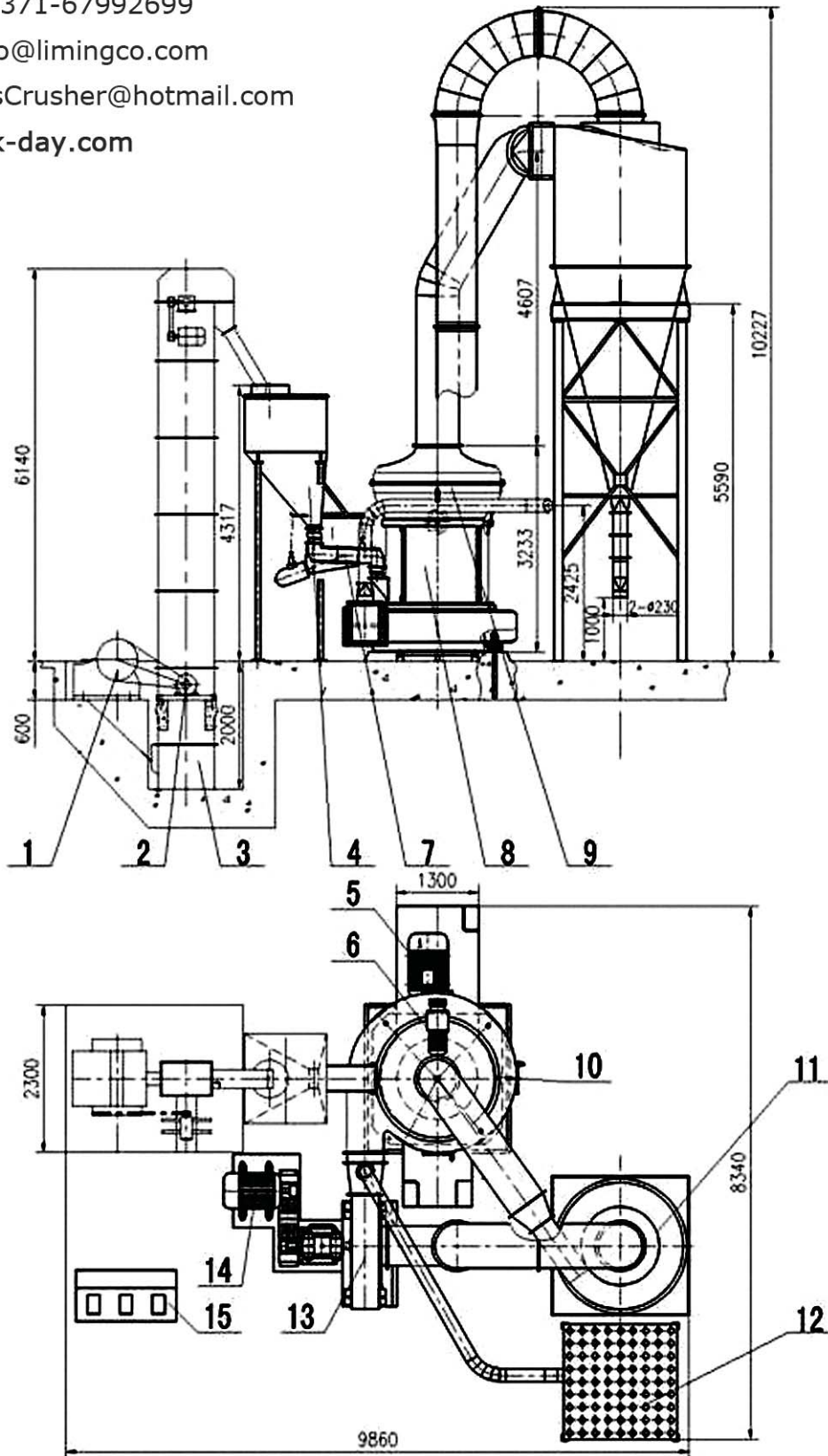
0086-371-67371699

Fax: 0086-371-67992699

E-mail: info@limingco.com

MSN: SalesCrusher@hotmail.com

www.break-day.com



1. Jaw Crusher PE250×400

2. Motor of Jaw Crusher

3. Elevator TH250

4. Hopper

5. Motor of main mill

6. Motor of classifier

7. Vibrating Feeder GZ3F

8. Main mill

9. Classifier

10. Inspection door of main mill

11. Cyclone collector

12. Dust collector

13. blower

14. Motor of blower

15 Control box

